

13 800 710



- 200mm projection
- fixed spout
- circular, air-enriched flow
- hole diameter 40 mm
- 1/2" connection
- plug-link mounting
- max. flow 7 l/min
- lead-free
- This product can help a building meet the requirements of Green Building Rating Systems, e.g. LEED®, BREEAM®, DGNB

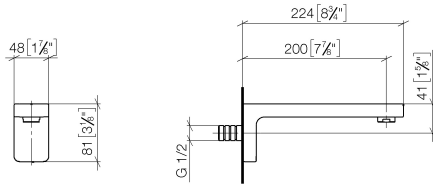
For Touchfree control please order eSet Touchfree WITH or WITHOUT temperature adjustment

Recommended miscellaneous

- | | | |
|---|---|----------------------|
|  | <p>Concealed wall elbow -
 • max. recess depth 163 mm
 • min. recess depth 90 mm</p> | <p>35 085 970 90</p> |
|---|---|----------------------|

13 800 710

mm [inches]



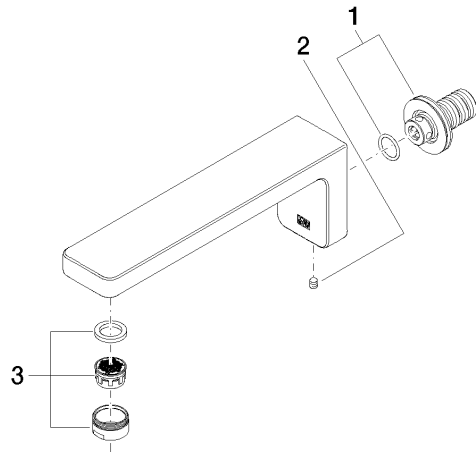
Flow rate chart



Certificates

WRAS_1906062. LGA_29119.

13 800 710



Spare parts list

No.	Item Number	Name	Quantity used	Delivery time
1	90 24 03 108 00 90	nipple set	1	2
2	90 31 11 004 00 90	pin	1	2
3	90 23 01 118 01-00	aerator	1	10